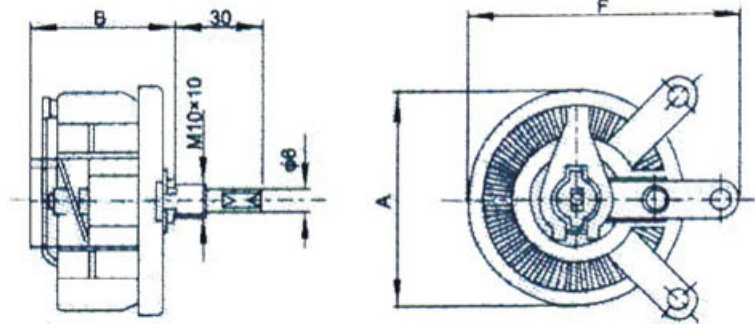


Rheostat(Potentiometer)-BC1



BC-25瓷盘变阻器外形图示

● 外形尺寸 Dimension

产品型号 Model	A (mm)	B (mm)	F (mm)	功率 Power(W)	电阻值 Resistance (Ω)	
					最小 (mm)	最大 (mm)
BC1-25W	44	43	50	25	1	5K
BC1-50W	66	43	75	50	1	5K
BC1-100W	84	43	95	100	1	5K
BC1-150W	106	48	120	150	1	5K
BC1-300W	170	74	180	300	1	5K
BC1-500W	210	74	230	500	1	5K
BC1-50W/2	80	100	75	100	3	10K
BC1-100W/2	97	112	95	200	3	10K
BC1-150W/2	135	120	120	300	3	10K
BC1-300W/2	175	165	180	600	3	10K
BC1-500W/2	220	165	180	1000	3	10K
BC1-150W/3	170	220	120	450	2	15K
BC1-300W/3	175	275	180	900	2	15K
BC1-500W/3	220	275	230	1500	2	15K

● 产品说明 Product Description

变阻器采用康铜线或镍铬线作为电阻材料绕于圆形陶瓷器骨架上，电阻材料除滑动接触表面外均涂以耐高温珐琅涂料并粘合于陶瓷器底盘上，中心配以转轴带动刷和电刷的滑动从而获得变化的电阻值。变阻器分开启式及保护式二种，其保护式即变阻器加金属防护箱壳，并配以调节手柄。

The rheostat uses the constantan wire or nichrome wire as the elements of resistance to circle on the framework of round chinaware. Except for the sliding surface, all the elements of resistance are covered the thermostable enamel dope and conglutinated on the bottom plate of chinaware. In addition, the center of the chinaware is set rotation axis which can drive the brush holder and electric brush to slide, so as to change the resistance' s value. The rheostat is classified to unlock one and protecting ones which is also the metal protecting box of rheostat. In addition, it is set with the adjust handwheel.

● 应用领域 Applications

BC1系列瓷盘式绕线变阻器适用于电压不超过380伏的工业电气设备中作电压、电流调节和交直流发电机的电压调整及直流电动机的转速调节之用。

BC1 plate rheostat can apply in the industrial electric equipment whose voltage is less or equal to 380V to adjust the voltage and electric current, the voltage of alternating current-direct current generating motor and the rotation speed of direct current electromotor.